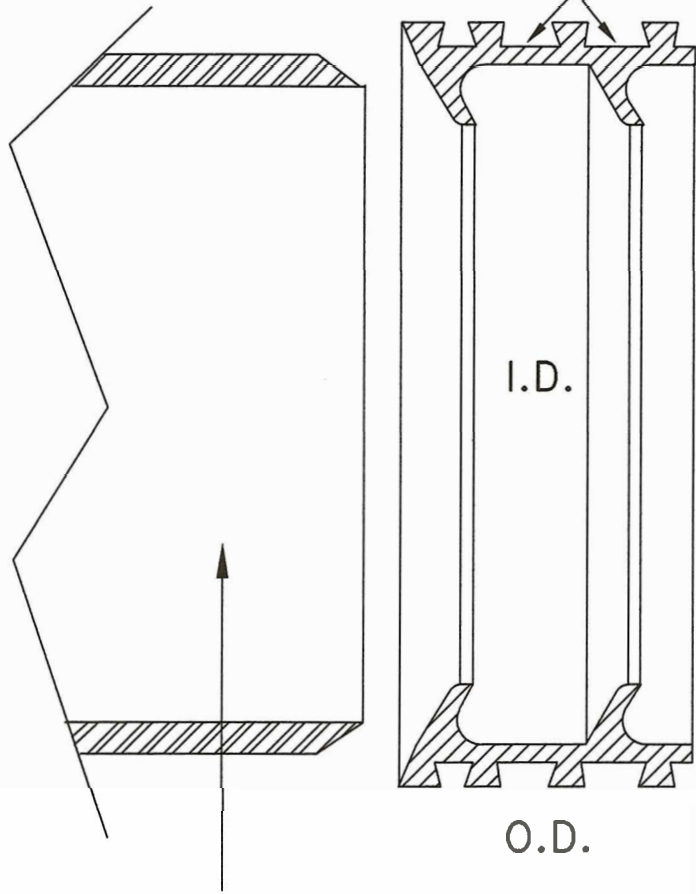


Banding area if needed.



Typical PVC Pipe  
Beveled cut-end  
ready to receive  
Waterstop Gasket.

Manhole cut-out  
for Pipe  
inlet. To  
be grouted  
around the  
waterstop.

Structure  
wall.

Sym	Revisions	Date	By

Clean and bevel pipe before the gasket is stretched onto the OD as shown. If needed, stainless clamps placed in grooves. As pipe is placed into MH wall, center gasket in wall cut-out, support pipe, pack cut-out with proper grout, backfill after it has fully set-up.

Typical Installation of the  
Vertite Waterstop Gasket.  
4"-12" Profile shown.



Elastomeric  
Seals

Mogadore OH 44260 USA

Description

VERTITE W-S, Waterstop

Material

C425, C443, C923, F477, 50±5

Scale  
Note

Date  
12-28-00

Drawn By  
WCA

Die Number  
V-0032